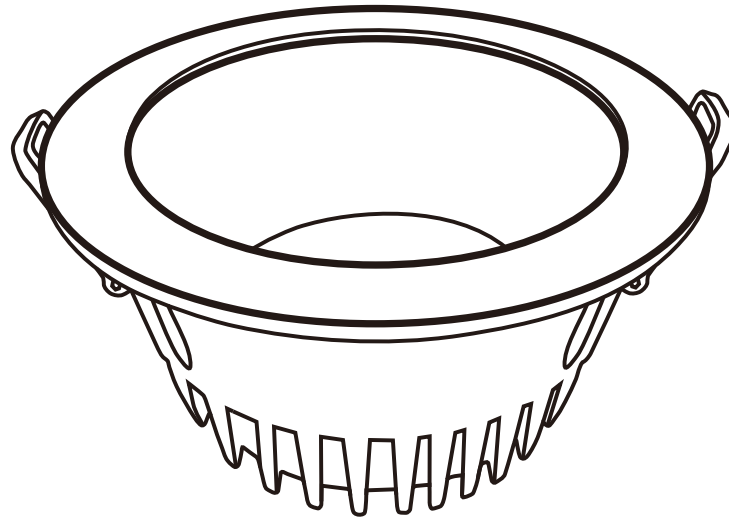


# HYUNDAI

L I G H T I N G



## Down Light


---

**7W    3000k**

**Technical Datasheet**

Item code	HYD-219C
-----------	----------

### A、 Appearance Description

	<b>Component Name</b>	<b>Material Technics</b>
	Heatsink	Die casting Aluminum
	<b>Diffuser</b>	PMMA
	Reflector	Aluminum+PC

### B、 Structure

Item code	HYD-219C-7W	HYD-219C-15W	HYD-219C-20W	HYD-219C-40W
Weight	257g	385g	654g	1050g
Dimension(mm)	φ88*45mm	Φ130*70mm	φ165*90mm	φ220*105mm
Cutout(mm)	φ75mm	Φ110mm	Φ145mm	Φ195mm
Driver	Detachable <b>Isolated</b> Driver			
External Wire Diameter, Insulation Material And Temperature Resistance	0.3/PVC		0.5/PVC	
Protection Grade	IP44			
Installation Method	Recessed			

### C、 Product Certificate

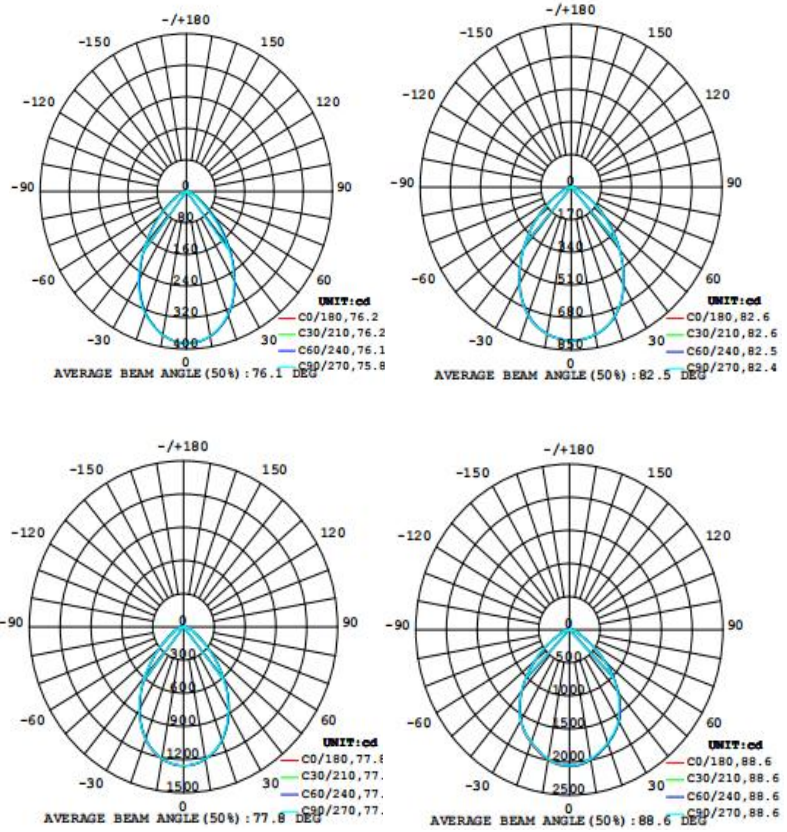
Standards	■ IEC60598 Series	■ ROHS
	■ IEC61347 Series	■ SASO 2902
	■ IEC62031 Series	

### D、 Power Driver Data

Supply Voltage (V)	220-240V			
Supply Frequency (Hz)	50-60Hz			
Supply Current (mA)	0.12A Max	0.18A Max	0.16A Max	0.29A Max
Power Consumption (W)	7W	15W	20W	40W
Power Factor	>0.5	>0.5	>0.9	>0.9
THD (%)			<20%	<10%
Flickering	Non-Flickering			
LED Driver Current (mA)	300mA	350mA	500mA	1000mA
LED Driver Voltage (V)	14-24V	30-40V	28-46.5V	30-40V
LED Driver Efficiency (%)	≥80%	≥83%	≥85%	≥87%
Work Temperature (°C)	-10-45°C			
Storage Temperature (°C)	-25-60°C			
<b>E、 Light Source Date</b>				
LED Model	COB			
LED Qty.(pcs)	1			
LM80 Report	YES			
<b>F、 Electronic Data</b>				
Luminous Flux ±10% (lm)	580	1500	2100	4400
Max Luminous Intensity (cd)	385.5	800.3	1256	2064
Beam Angle (°)	76.1	82.5	77.8	88.6
Luminous Efficacy (lm/W)	82	100	105	110
SDCM	<5			
CRI	>80			
Dominant Wavelength (nm)	6500K: 496.5 4000K: 579.2 3000K: 583	4000K: 579	4000K: 579.2	6500K: 494.6 4000K: 579.1
Light Radiation Grade				
Chromaticity Coordinate	<input checked="" type="checkbox"/> CIE <input type="checkbox"/> ANSI <input type="checkbox"/> JIS			

<b>Color Temperature</b>	3000K / 4000K /6500K
<b>Lumen Maintenance(%)</b>	
<b>Life (h)</b>	50000
<b>Number of Switching Cycles (Times)</b>	25000
<b>Starting Time (s)</b>	<0.55

**Light Distribution Curve**



# Light Distribution Curve

