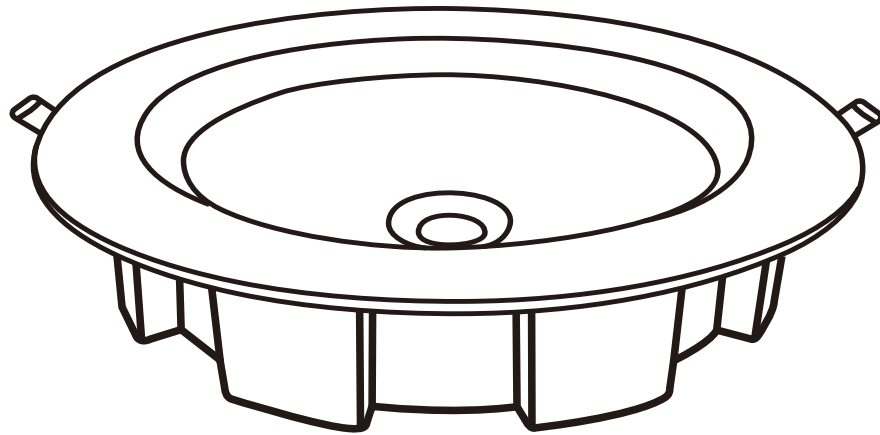


HYUNDAI


L I G H T I N G



Down Light

32W 6500k

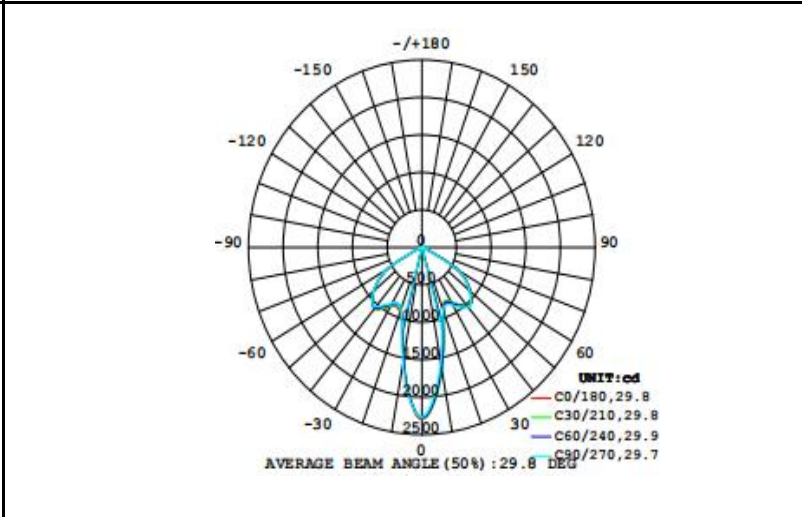
Technical Datasheet

Item code	HYD-240R	
A、 Appearance Description		
	Component Name	Material Technics
	Heatsink	Die casting Aluminum
	Diffuser	Glass
	Reflector	Aluminum
B、 Structure		
Item code	HYD-240R-32W	
Weight	789g	
Dimension(mm)	Φ225*46mm	
Cutout(mm)	Φ205mm	
Driver	Detachable Isolated Driver	
External Wire Diameter, Insulation Material And Temperature Resistance	0.5/PVC	
Protection Grade	IP20	
Installation Method	Recessed	
C、 Power Driver Data		
Supply Voltage (V)	110-240V	
Supply Frequency (Hz)	50-60Hz	
Supply Current (mA)	0.75A Max	
Power Consumption (W)	32W	

Power Factor	>0.5
THD (%)	
Flickering	Flickering
LED Driver Current (mA)	800mA
LED Driver Voltage (V)	36-39V
LED Driver Efficiency (%)	≥91%
Work Temperature (°C)	-10-45°C
Storage Temperature (°C)	-25-60°C
D、 Light Source Date	
LED Model	COB
LED Qty.(pcs)	1
LM80 Report	YES
E、 Electronic Data	
Luminous Flux ±10% (lm)	3360
Max Luminous Intensity (cd)	2292
Beam Angle (°)	29.8
Luminous Efficacy (lm/W)	105
SDCM	<5
CRI	>80
Dominant Wavelength (nm)	6500K: 497.7
Light Radiation Grade	
Chromaticity Coordinate	■ CIE □ ANSI □ JIS
Color Temperature	3000K / 4000K /6500K
Lumen Maintenance(%)	
Life (h)	50000
Number of Switching Cycles (Times)	25000

Starting Time (s) < 0.55

Light Distribution Curve



Light Distribution Curve

